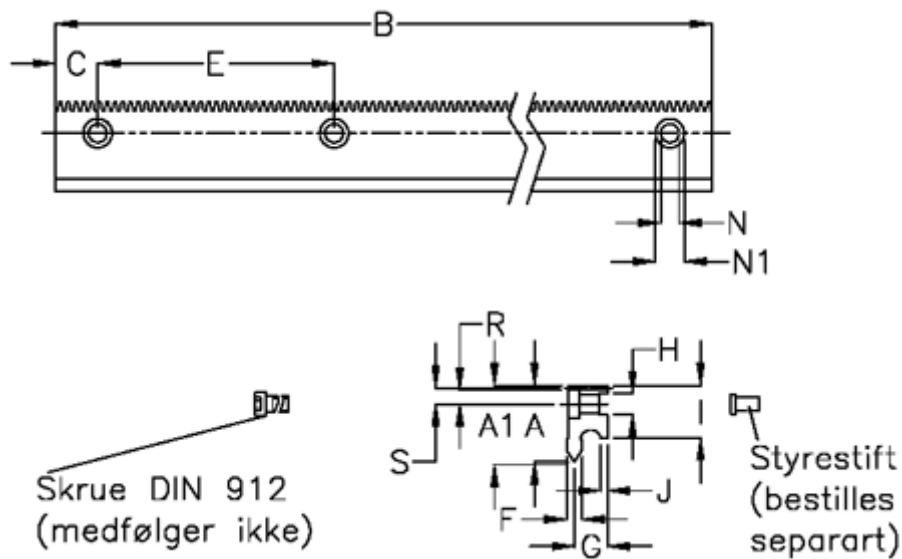


Article number: 057125126961

Description: Hepco GV3 slide NMS E L2696 P1  
with counterbored holes

## Measures



A	= 11	G	= 6.2	Side power N at I2 = 3.5
A1	= 11.19	H	= 4	Tooth size = 0.50
B	= 2696	I	= 9.25	Weight kg/1000 = 0.55
C	= 20.5	J	= 1.70	
E	= 45	N1	= 6.2 x 3.1	
F	= 3.00	Precision type = P1		
For bearing	= J13	R	= 3.80	
For guide pin	= SDP4	S	= 4.50	